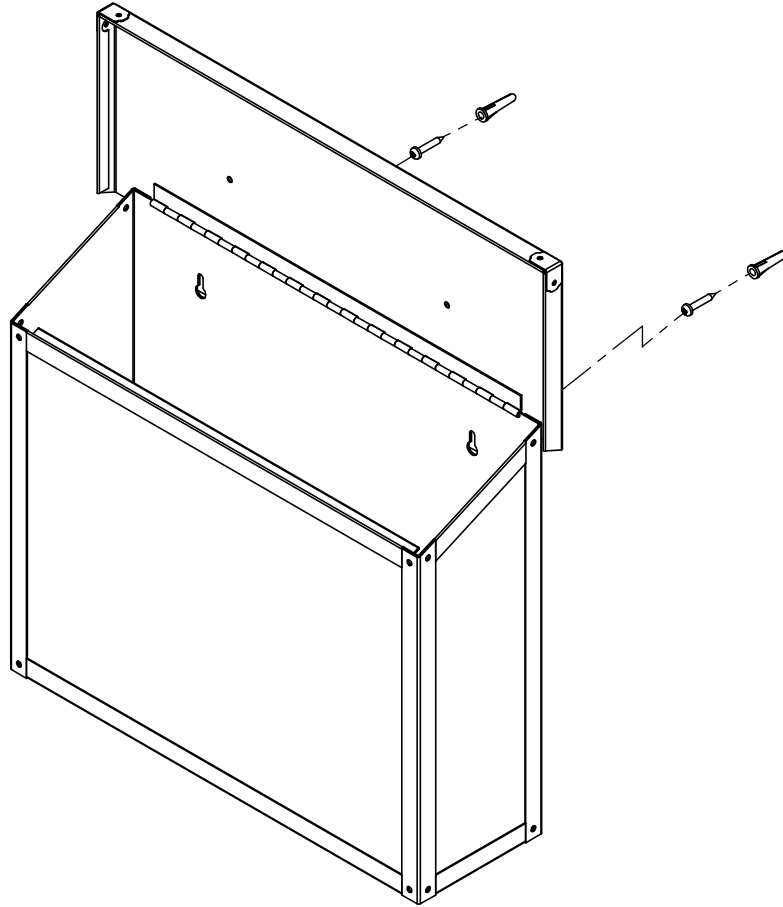



MAIL BOX MOUNTING INSTRUCTION



1. Using a 1/4" drill bit, mark and drill two level holes 10" apart from each other.
2. Hammer the blue plug anchors into the two 1/4" holes. Screw the two #10x 1 1/2" stainless steel screws into the two blue anchors, leaving 1/2" of threads exposed outside of the wall.
3. Slide the mailbox over the two stainless steel screws using the two key slot holes in the back of the mailbox. Once the heads of the screws have passed the back wall of the mailbox allow the box to drop down and rest level on to the screws. Gently tighten the screws until the mailbox is snug to the wall. Do not over tighten.

		800-577-6679 www.americasfinestmailbox.com	
OCL FIXTURE		TITLE: MAIL BOX INSTRUCTIONS	
QTY:		DWG. NO.	
DRAWN BY:	C. CIFENTES	REV	
DATE:	12/17/2012	NA	
JOB #:		SHEET 1 OF 1	
MATERIAL:	BRASS	SCALE:	N/A

PROPRIETARY AND CONFIDENTIAL
 THE INFORMATION CONTAINED IN THIS DRAWING IS THE SOLE PROPERTY OF OLD CALIFORNIA LANTERN COMPANY. ANY REPRODUCTION IN PART OR AS A WHOLE WITHOUT THE WRITTEN PERMISSION OF OLD CALIFORNIA LANTERN COMPANY IS PROHIBITED.